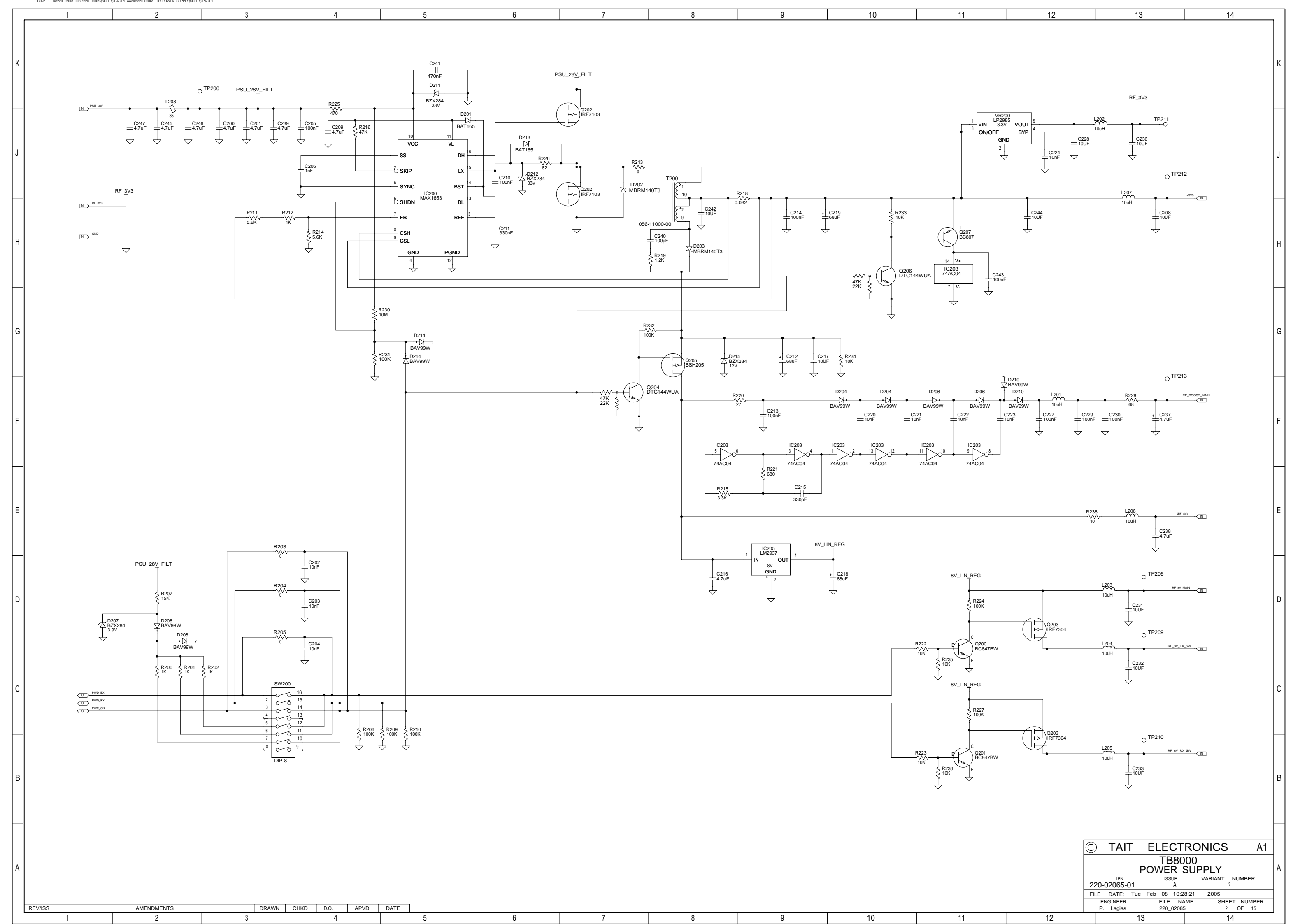


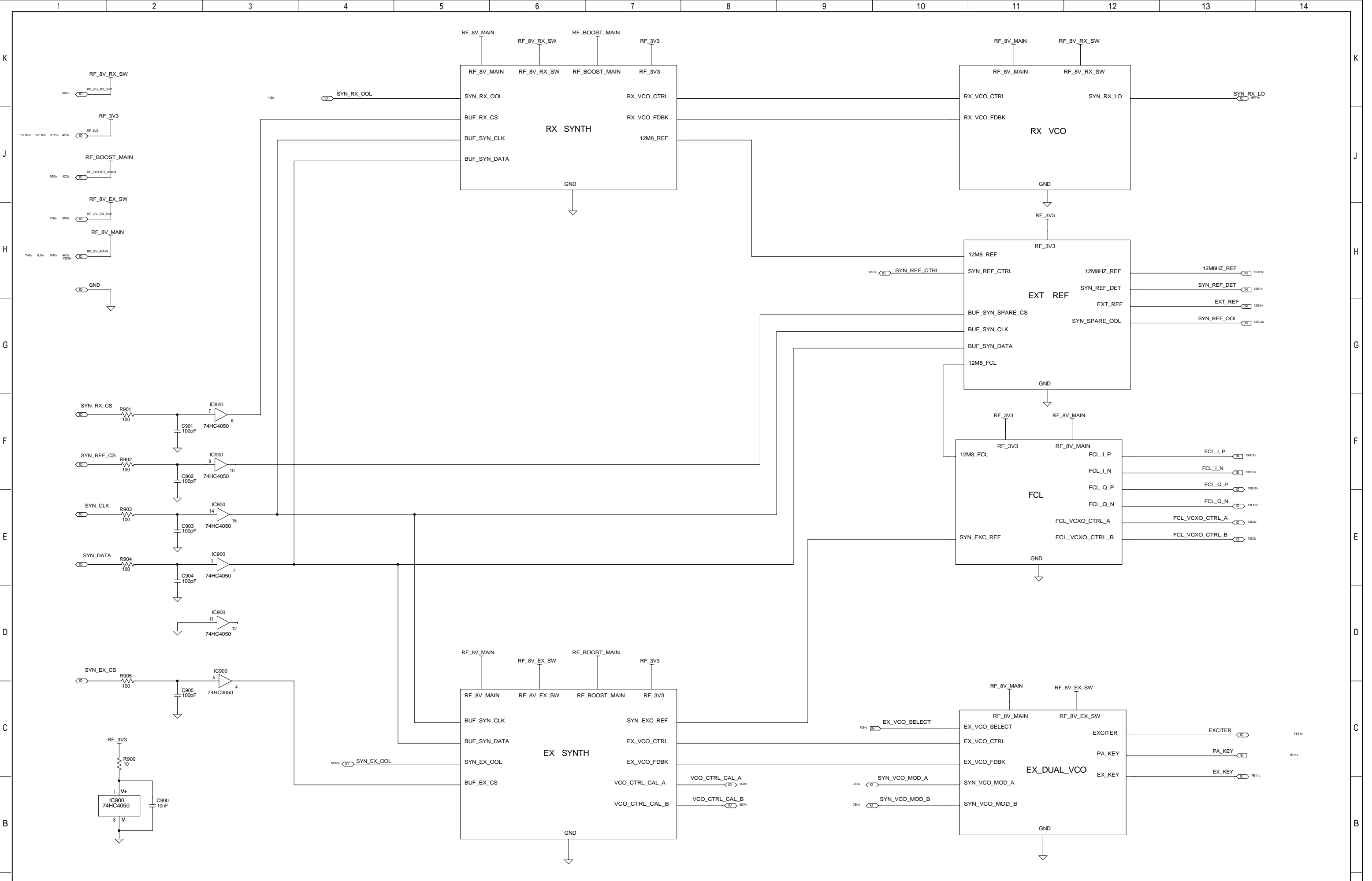
01A	PROTOTYPE	PL	CK	PL	20-02-05
REV/ISS	AMENDMENTS	DRAWN	CHKD	APVD	DATE
1					

© TAIT ELECTRONICS		A1
TB8000		
RECITER RF TOP LEVEL		
IPN:	ISSUE:	VARIANT NUMBER:
220-02065-01	A	?
FILE DATE:	Thu Mar 17 13:56:17 2005	
ENGINEER:	FILE NAME:	SHEET NUMBER:
P. Lagias	220_02065	1 OF 15



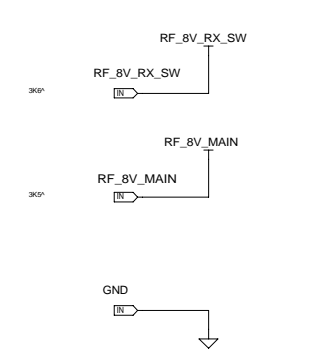
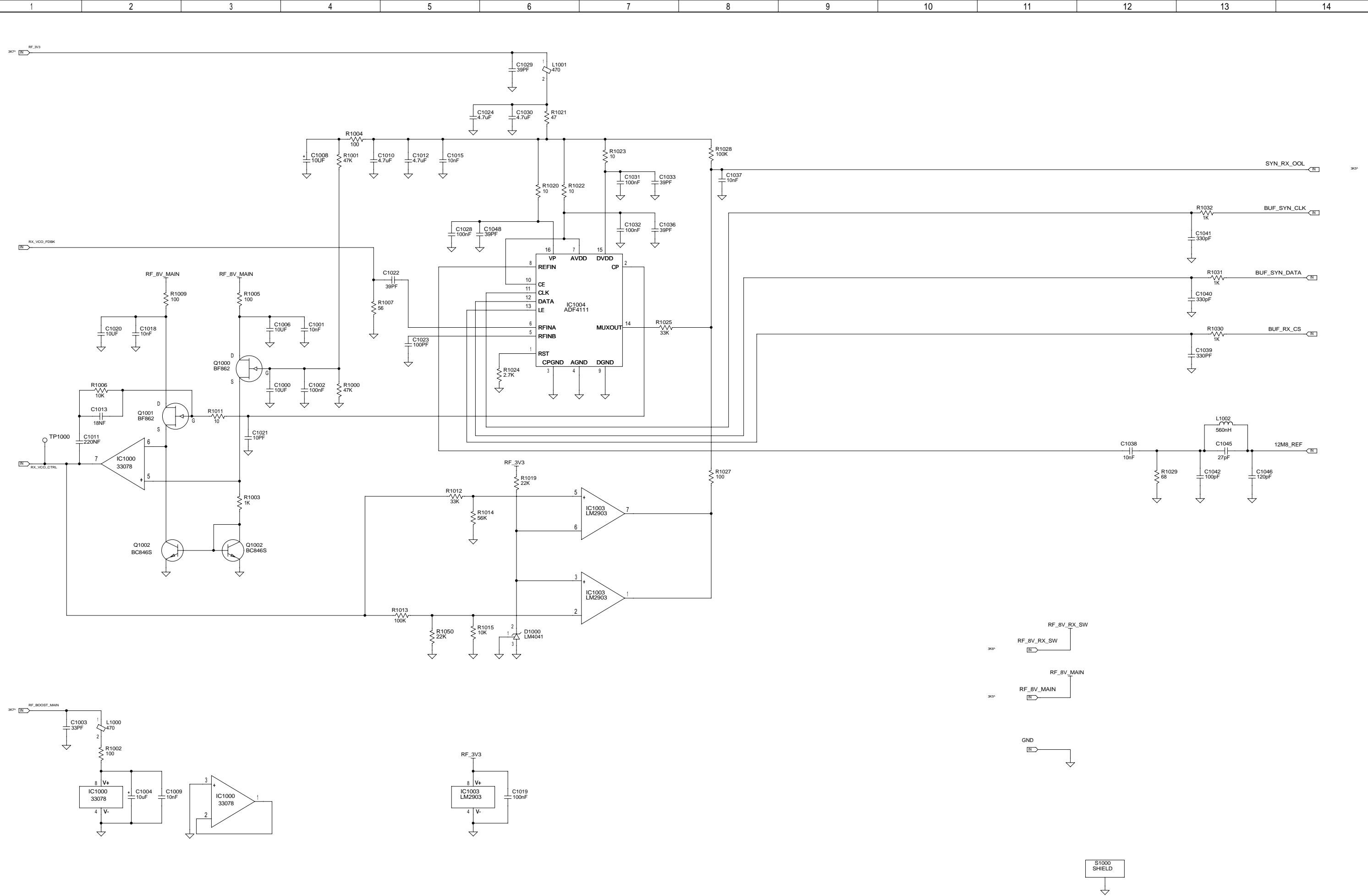
© TAIT ELECTRONICS		A1
TB8000 POWER SUPPLY		
IPN: 220-02065-01	ISSUE: A	VARIANT NUMBER: ?
FILE DATE: Tue Feb 08 10:28:21 2005		
ENGINEER: P. Lagias	FILE NAME: 220_02065	SHEET NUMBER: 2 OF 15

REV/ISS	AMENDMENTS	DRAWN	CHKD	D.O.	APVD	DATE
1						
2						
3						
4						
5						
6						
7						
8						
9						
10						
11						
12						
13						
14						



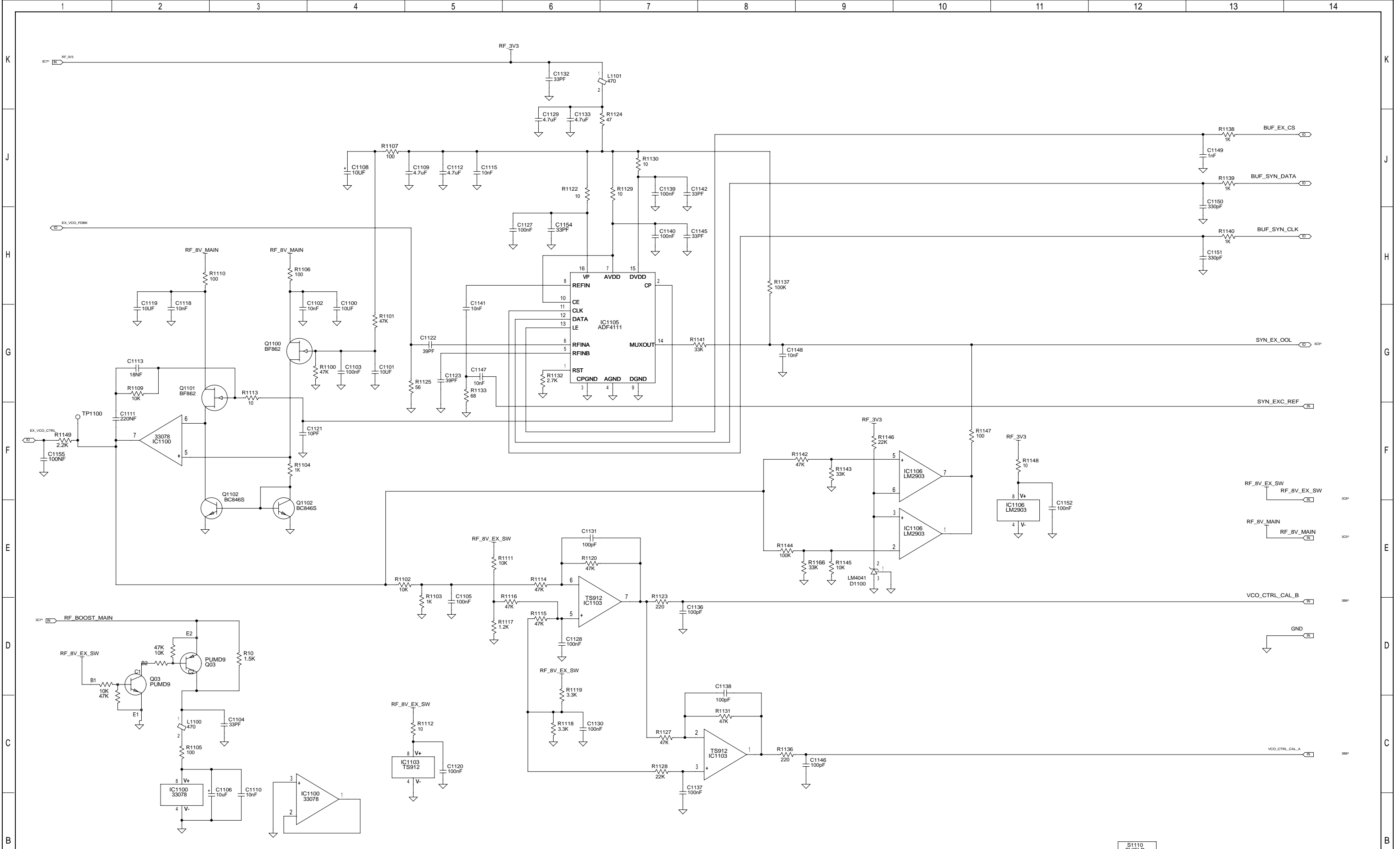
© TAIT ELECTRONICS		A1
TB8000 SYNTH & VCOS		
IPN: 220-02065-01	ISSUE: A	VARIANT NUMBER: ?
FILE DATE: Tue Feb 08 10:28:26 2005		
ENGINEER: P. Lagias	FILE NAME: 220_02065	SHEET NUMBER: 3 OF 15

REV/ISS	AMENDMENTS	DRAWN	CHKD	D.O.	APVD	DATE
1						
2						
3						
4						
5						
6						
7						
8						
9						
10						
11						
12						
13						
14						



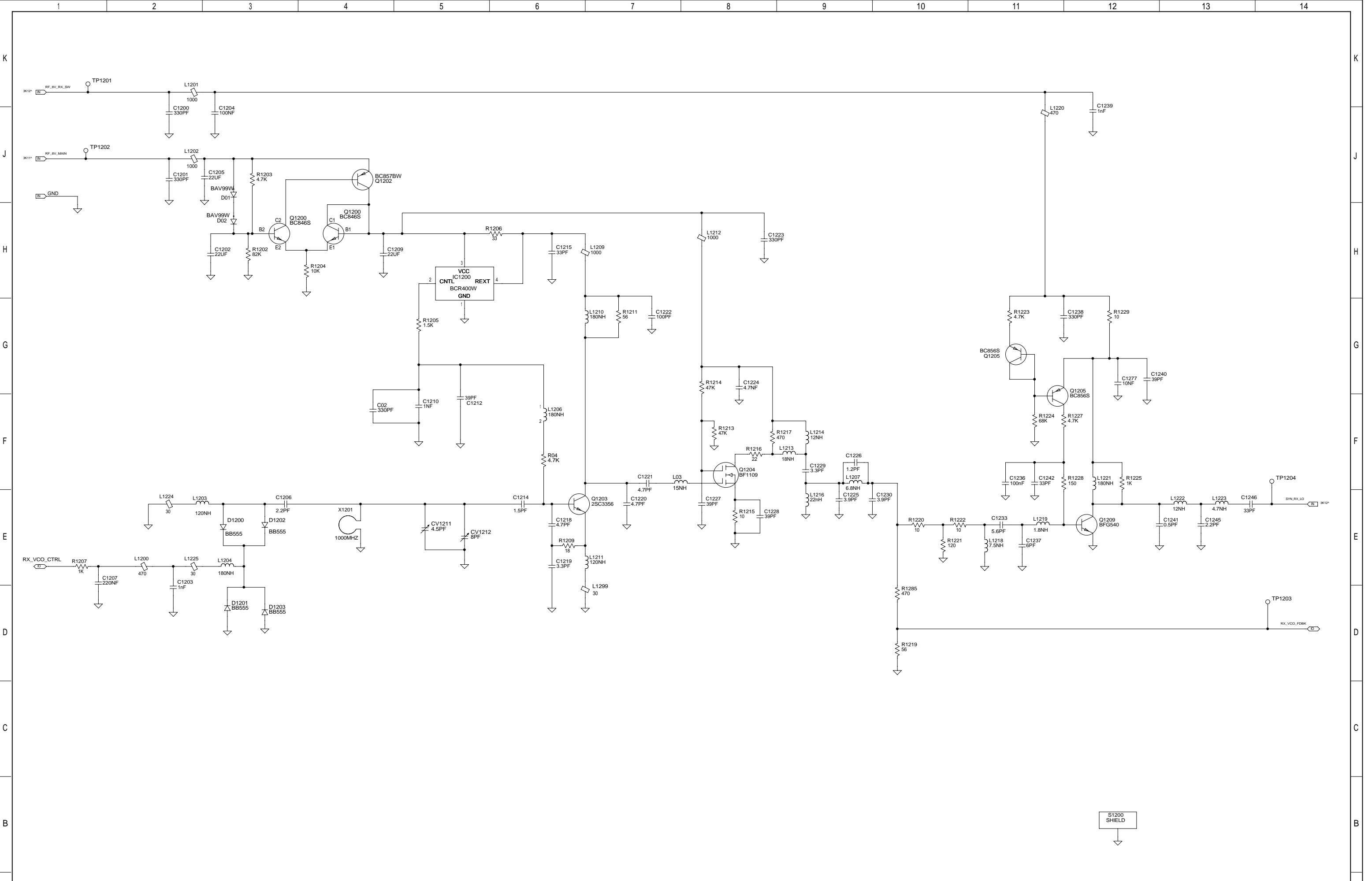
© TAIT ELECTRONICS			A1
RECEIVER SYNTH			
TB8000			
IPN:	ISSUE:	VARIANT:	NUMBER:
220-02065-01	A	?	?
FILE DATE:	Tue Feb 08 10:28:29 2005		
ENGINEER:	FILE NAME:	SHEET NUMBER:	
P. Lagias	220_02065	4 OF 15	

REV/ISS	AMENDMENTS	DRAWN	CHKD	D.O.	APVD	DATE
1						
2						
3						
4						
5						
6						
7						
8						
9						
10						
11						
12						
13						
14						



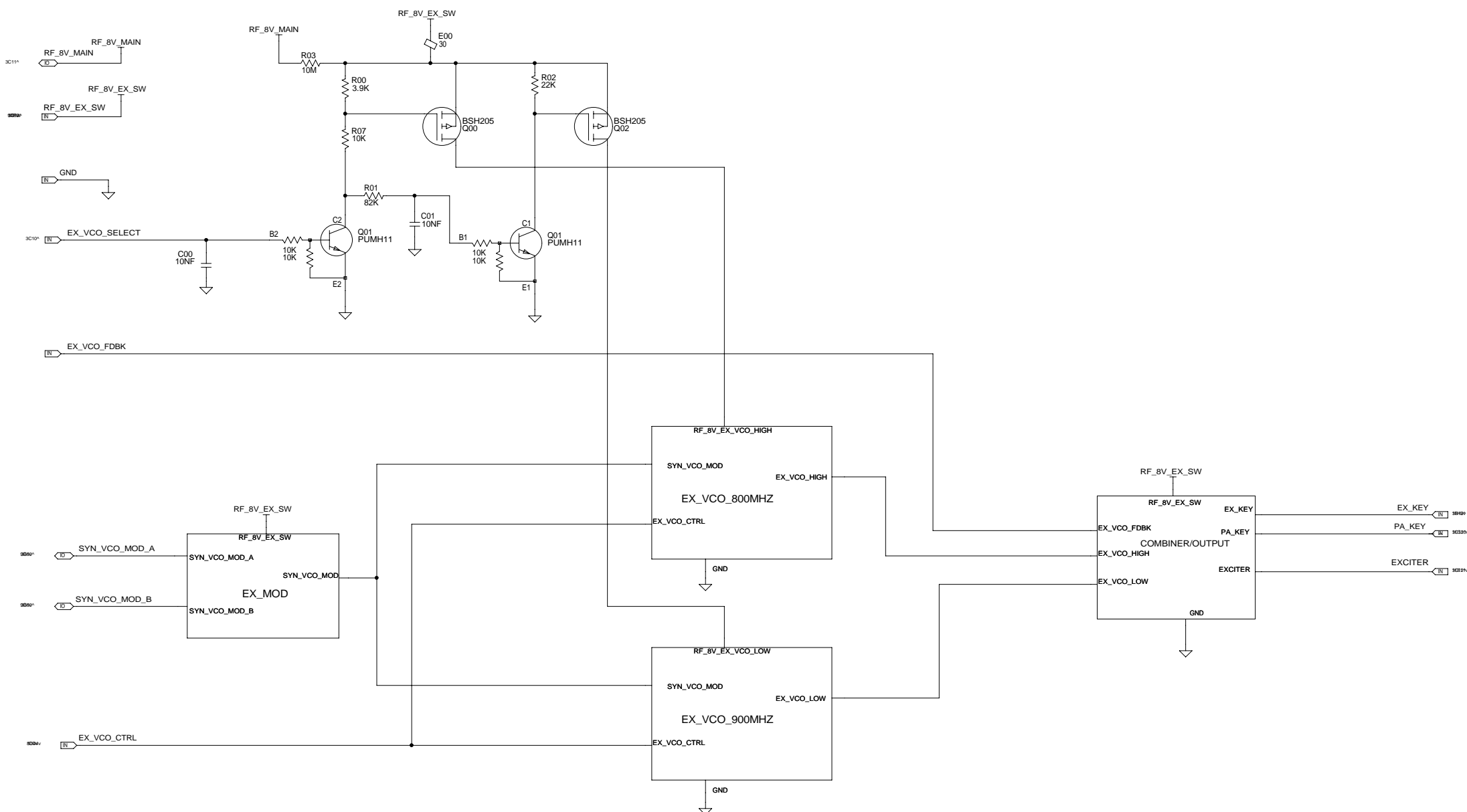
REV/ISS	AMENDMENTS	DRAWN	CHKD	D.O.	APVD	DATE
1						

© TAIT ELECTRONICS		A1
TB8000 EXCITER SYNTH		
IPN: 220-02065-01	ISSUE: A	VARIANT NUMBER: ?
FILE DATE: Tue Feb 08 10:28:32 2005	FILE NAME: 220_02065	SHEET NUMBER: 5 OF 15
ENGINEER: P. Lagas		



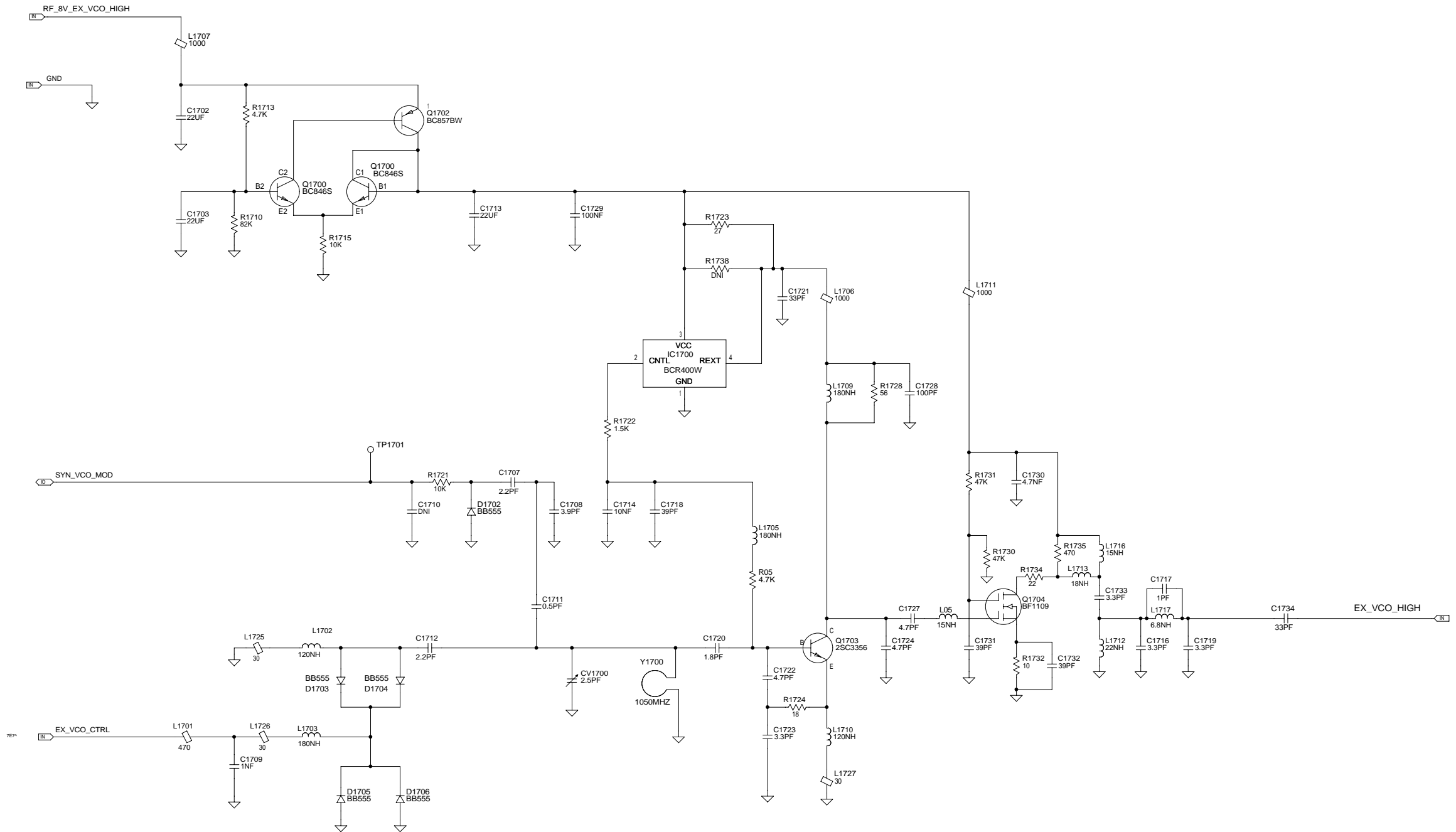
© TAIT ELECTRONICS		A1
TB8000 RECEIVER VCO		
IPN: 220-02065-01	ISSUE: A	VARIANT NUMBER: ?
FILE DATE: Tue Feb 08 10:28:35 2005	ENGINEER: P. Lagias	FILE NAME: 220_02065
		SHEET NUMBER: 6 OF 15

REV/ISS	AMENDMENTS	DRAWN	CHKD	D.O.	APVD	DATE
1						
2						
3						
4						
5						
6						
7						
8						
9						
10						
11						
12						
13						
14						



© TAIT ELECTRONICS		A1
TB8000 EXCITER DUAL VCO		
IPN: 220-02065-01	ISSUE: A	VARIANT NUMBER: ?
FILE DATE: Tue Feb 08 10:28:37 2005		
ENGINEER: P. Lagias	FILE NAME: 220_02065	SHEET NUMBER: 7 OF 15

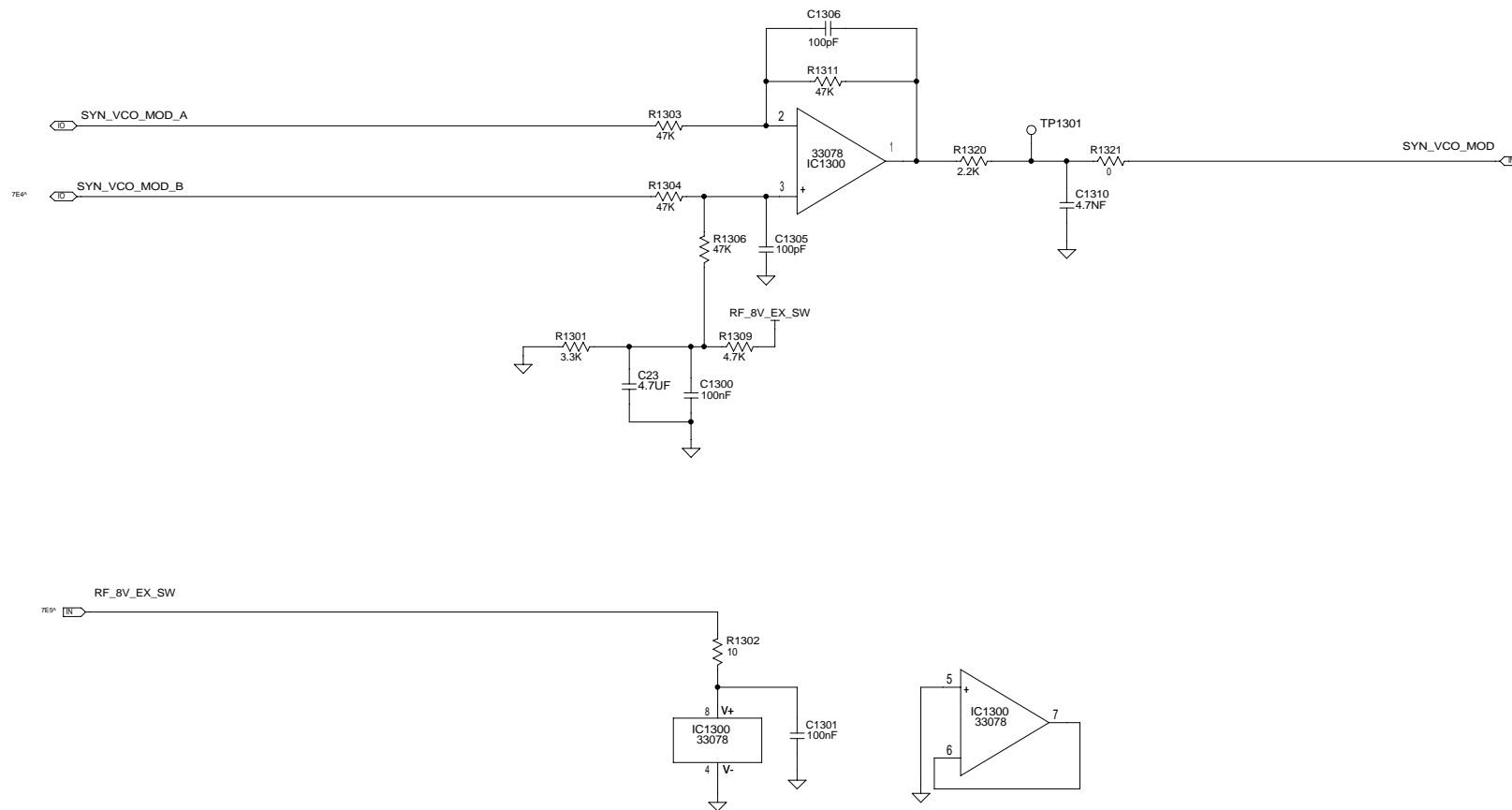
REV/ISS	AMENDMENTS	DRAWN	CHKD	D.O.	APVD	DATE
1						
2						
3						
4						
5						



S1700 SHIELD

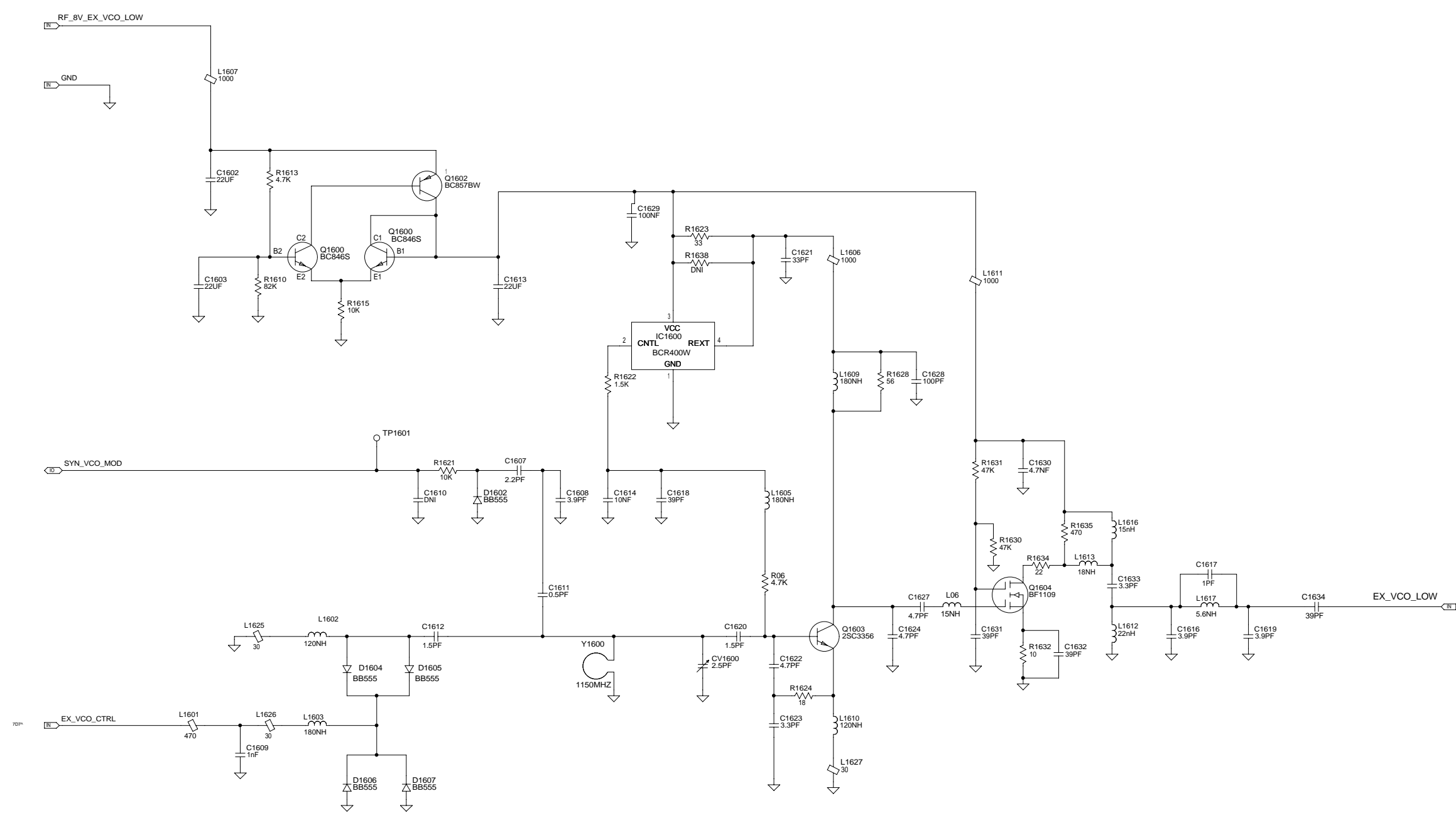
© TAIT ELECTRONICS		A1
TB8000 EXCITER VCO HIGH		
IPN: 220-02065-01	ISSUE: A	VARIANT NUMBER: ?
FILE DATE: Tue Feb 08 10:28:44 2005		
ENGINEER: P. Lagias	FILE NAME: 220_02065	SHEET NUMBER: 8 OF 15

REV/ISS	AMENDMENTS	DRAWN	CHKD	D.O.	APVD	DATE
1						
2						
3						
4						
5						
6						
7						
8						
9						
10						
11						
12						
13						
14						



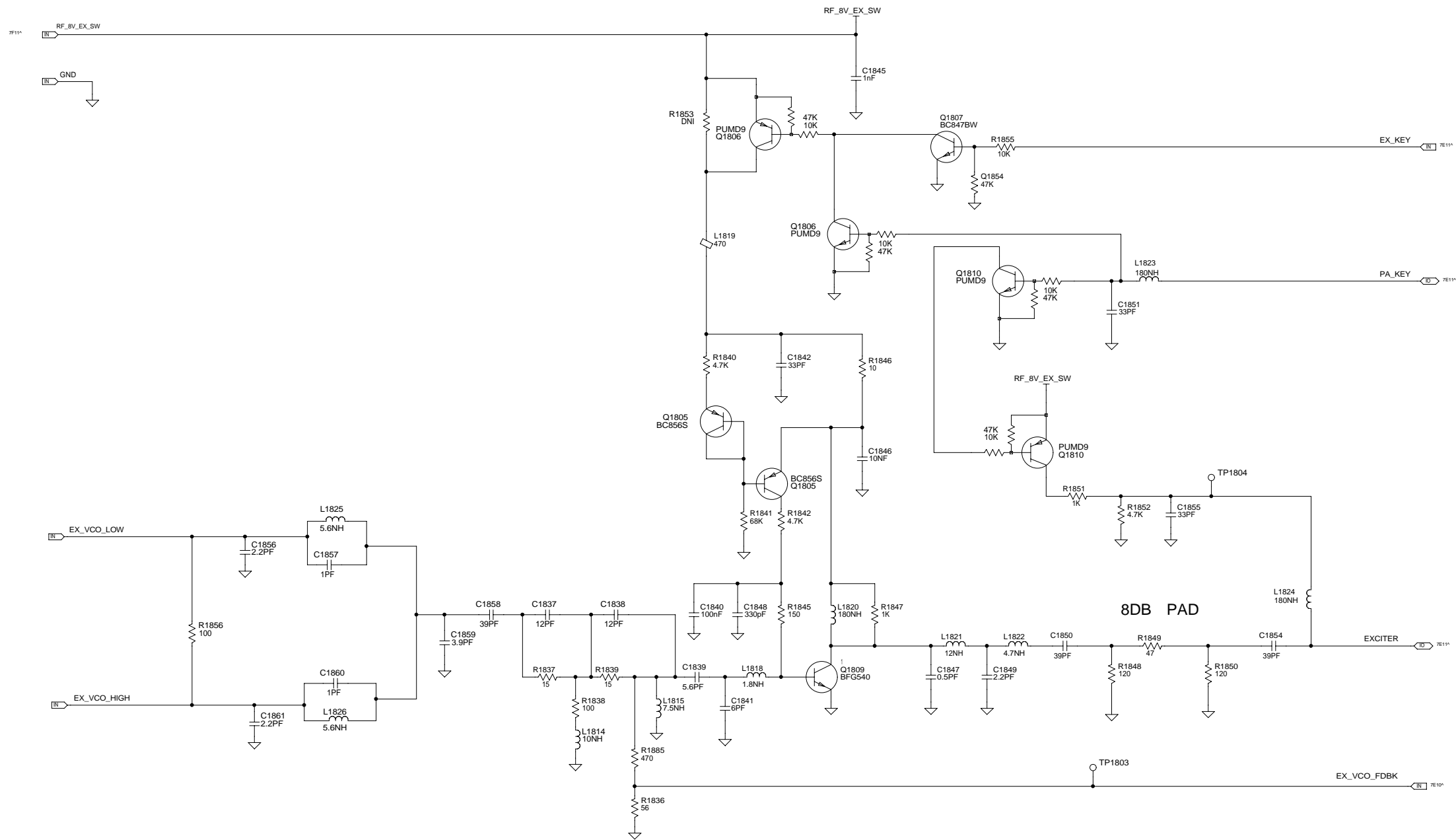
© TAIT ELECTRONICS		A1
TB8000 EXITER MODULATION		
IPN:	ISSUE:	VARIANT NUMBER:
220-02065-01	A	?
FILE DATE:	Tue Feb 08 10:28:38 2005	
ENGINEER:	FILE NAME:	SHEET NUMBER:
P. Lagias	220_02065	9 OF 15

REV/ISS	AMENDMENTS	DRAWN	CHKD	D.O.	APVD	DATE
1						
2						
3						
4						
5						
6						
7						
8						
9						
10						
11						
12						
13						
14						



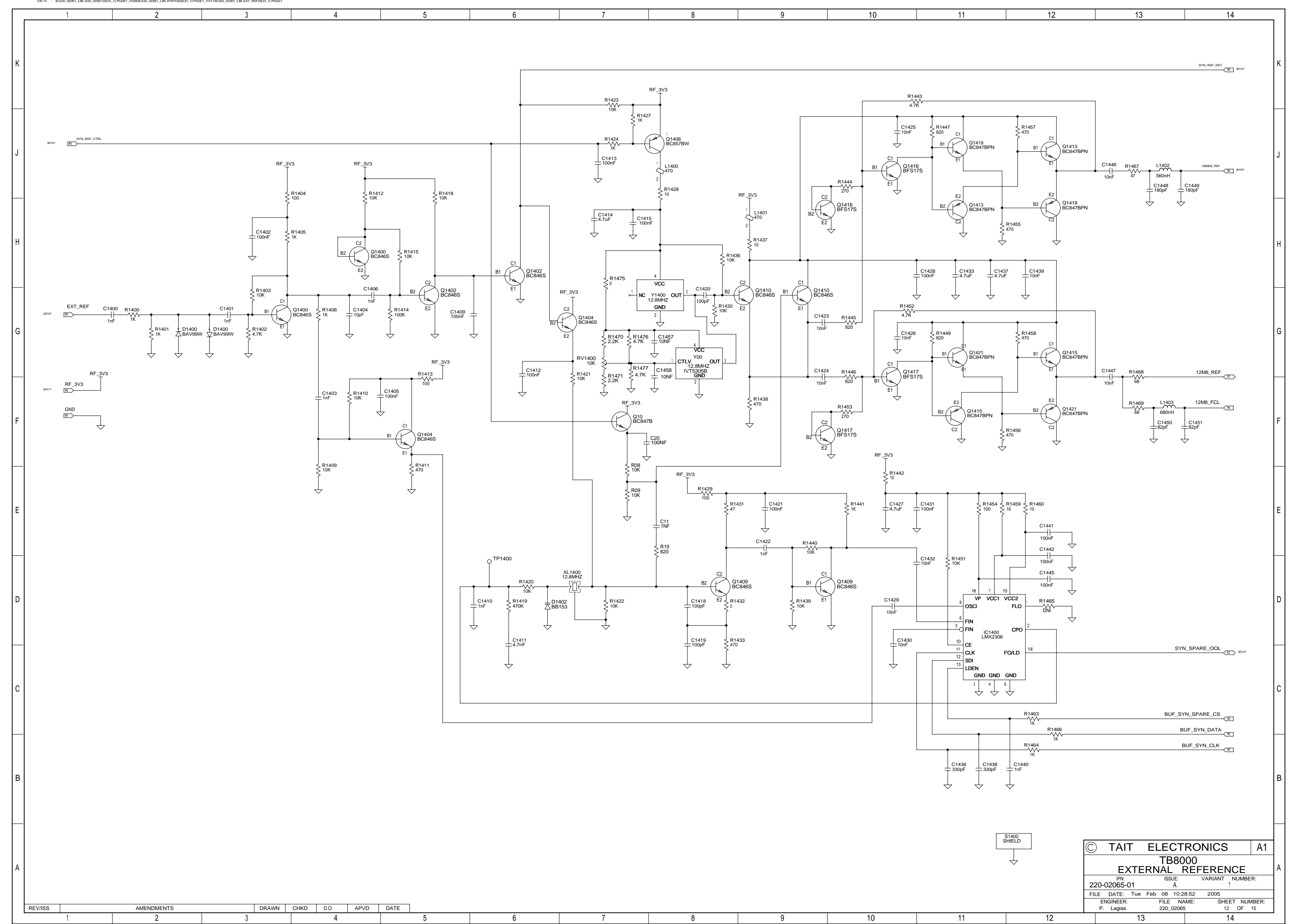
© TAIT ELECTRONICS		A1
TB8000 EXCITER VCO LOW		
IPN: 220-02065-01	ISSUE: A	VARIANT NUMBER: ?
FILE DATE: Tue Feb 08 10:28:40 2005		
ENGINEER: P. Lagias	FILE NAME: 220_02065	SHEET NUMBER: 10 OF 15

REV/ISS	AMENDMENTS	DRAWN	CHKD	D.O.	APVD	DATE
1						
2						
3						
4						
5						
6						
7						
8						
9						
10						
11						
12						
13						
14						



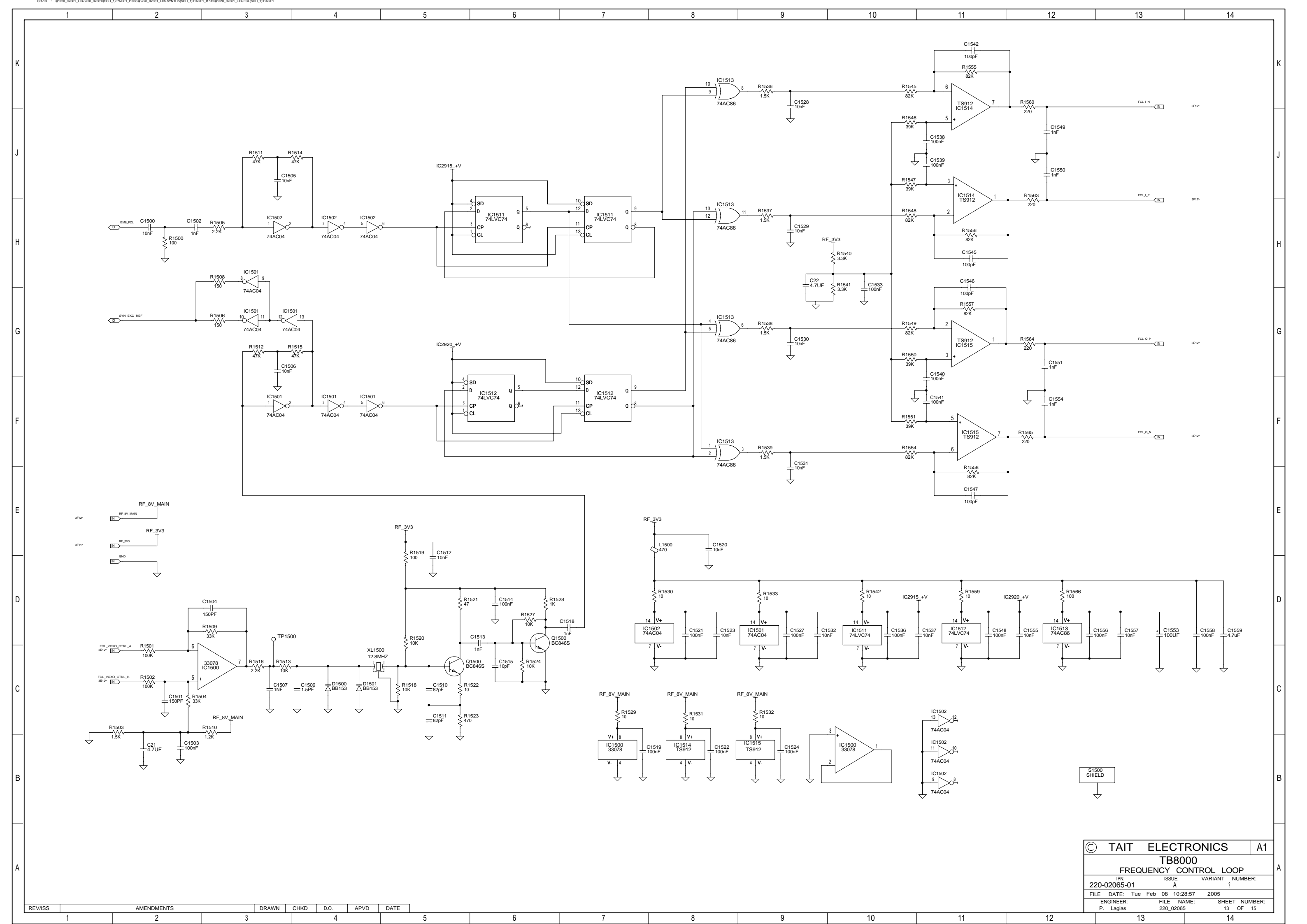
© TAIT ELECTRONICS		A1
TB8000		
EXCITER COMBINER/OUTPUT		
IPN:	ISSUE:	VARIANT NUMBER:
220-02065-01	A	?
FILE DATE:	Tue Feb 08 10:28:42 2005	
ENGINEER:	FILE NAME:	SHEET NUMBER:
P. Lagias	220_02065	11 OF 15

REV/ISS	AMENDMENTS	DRAWN	CHKD	D.O.	APVD	DATE
1						
2						
3						
4						
5						
6						
7						
8						
9						
10						
11						
12						
13						
14						



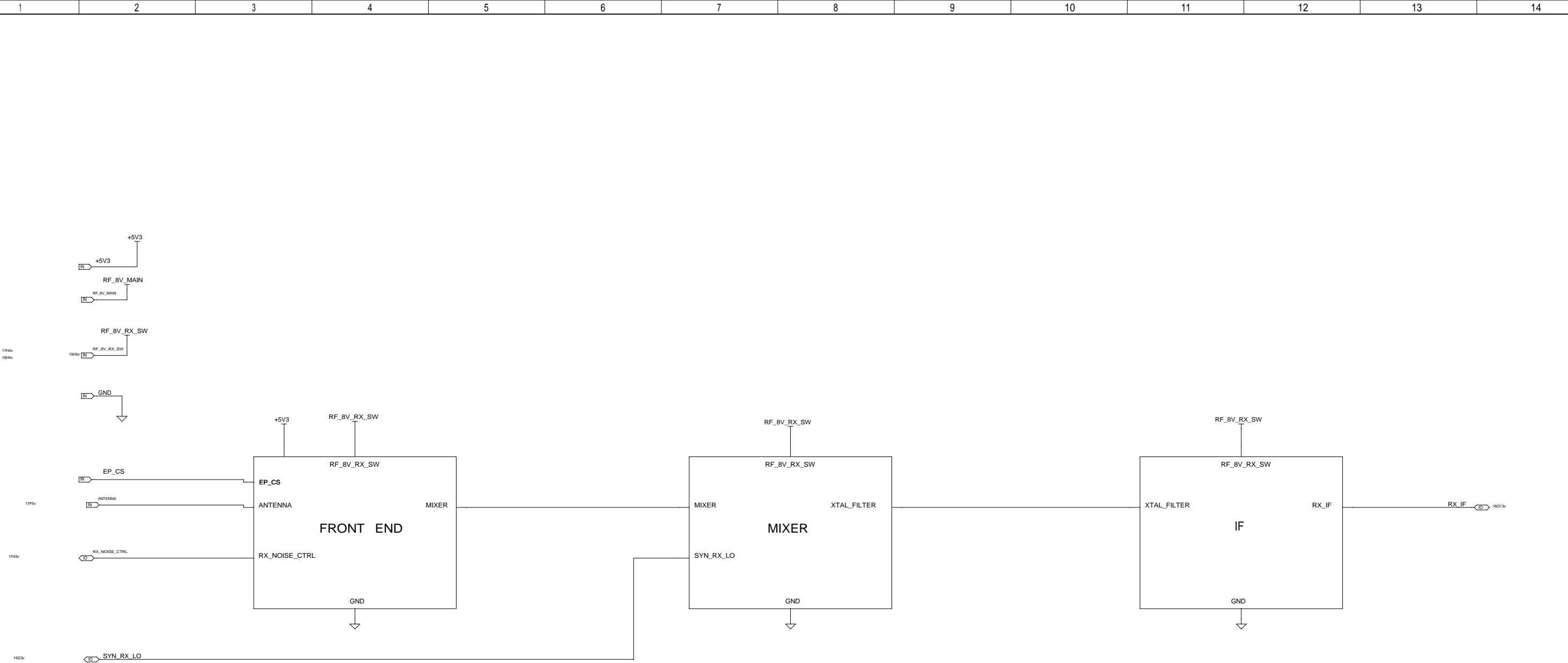
© TAIT ELECTRONICS		A1
TB8000		
EXTERNAL REFERENCE		
IPN: 220-02065-01	ISSUE: A	VARIANT NUMBER: ?
FILE DATE: Tue Feb 08 10:28:52 2005		
ENGINEER: P. Laglas	FILE NAME: 220_02065	SHEET NUMBER: 12 OF 15

REV/ISS	AMENDMENTS	DRAWN	CHKD	D.O.	APVD	DATE
1						
2						
3						
4						
5						



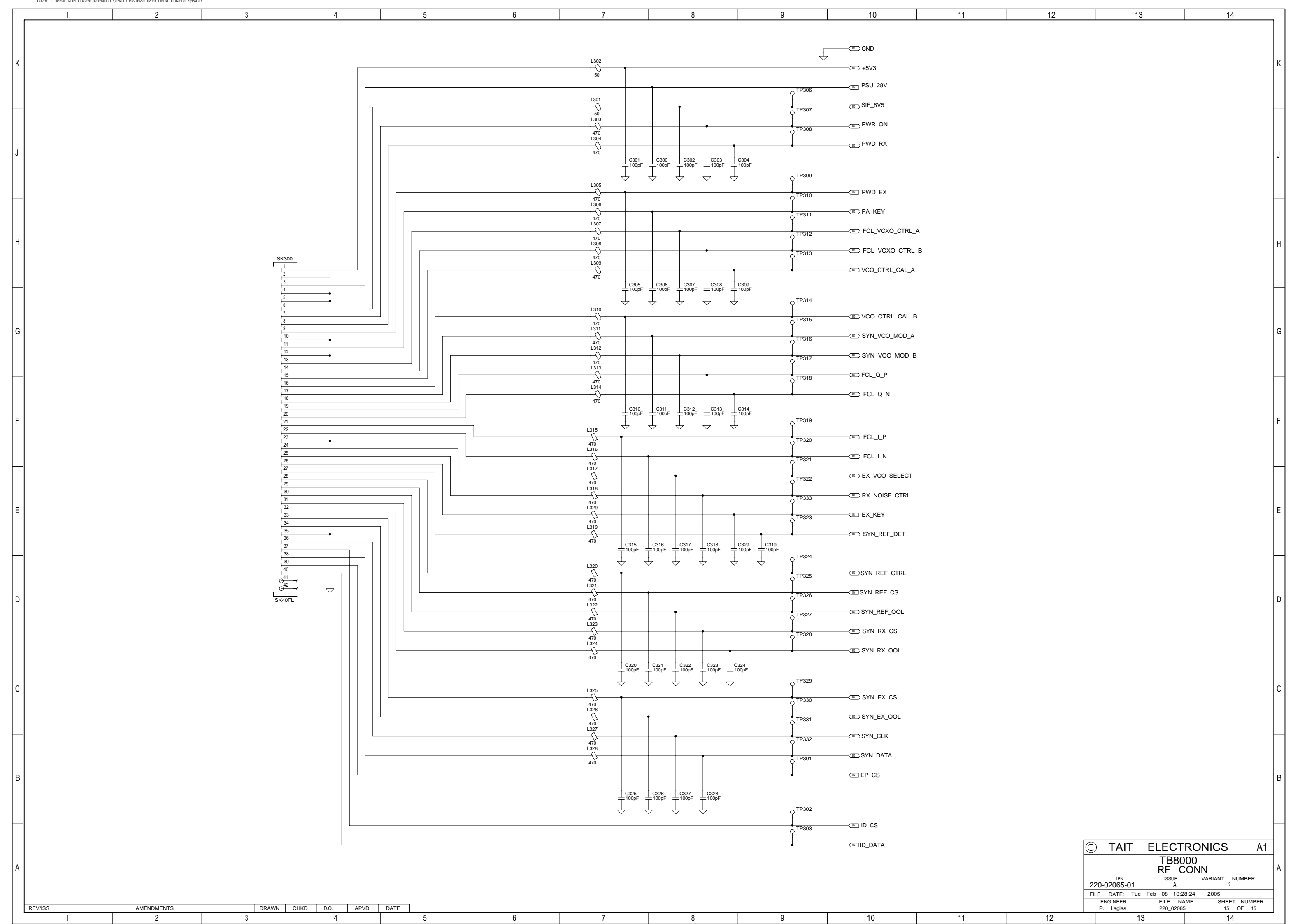
© TAIT ELECTRONICS		A1
TB8000		
FREQUENCY CONTROL LOOP		
IPN: 220-02065-01	ISSUE: A	VARIANT NUMBER: ?
FILE DATE: Tue Feb 08 10:28:57 2005		
ENGINEER: P. Lagias	FILE NAME: 220_02065	SHEET NUMBER: 13 OF 15

REV/ISS	AMENDMENTS	DRAWN	CHKD	D.O.	APVD	DATE
1						
2						
3						
4						
5						
6						
7						
8						
9						
10						
11						
12						
13						
14						



© TAIT ELECTRONICS			A1
TB8000 RECEIVER			
IPN: 220-02065-01	ISSUE: A	VARIANT: ?	NUMBER: ?
FILE DATE: Fri Jan 14 10:10:21 2005			
ENGINEER: P. Lagias	FILE NAME: 220_02065	SHEET NUMBER: 14 OF 15	

REV/ISS	AMENDMENTS	DRAWN	CHKD	D.O.	APVD	DATE
1						
2						
3						
4						
5						
6						
7						
8						
9						
10						
11						
12						
13						
14						



© TAIT ELECTRONICS			A1
TB8000 RF CONN			
IPN: 220-02065-01	ISSUE: A	VARIANT: ?	NUMBER: ?
FILE DATE: Tue Feb 08 10:28:24 2005			
ENGINEER: P. Lagias		FILE NAME: 220_02065	SHEET NUMBER: 15 OF 15

REV/ISS	AMENDMENTS	DRAWN	CHKD	D.O.	APVD	DATE
1						
2						
3						
4						
5						
6						
7						
8						
9						
10						
11						
12						
13						
14						